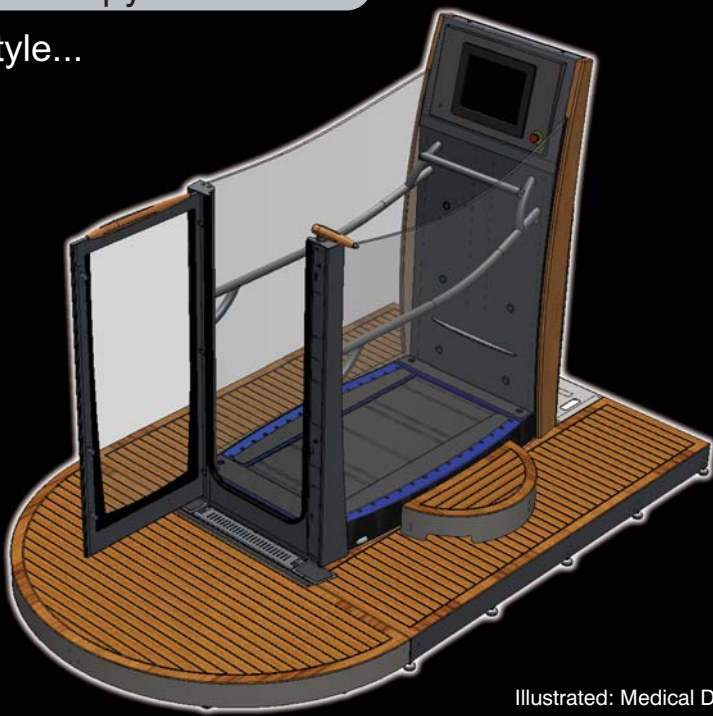


Product Specifications



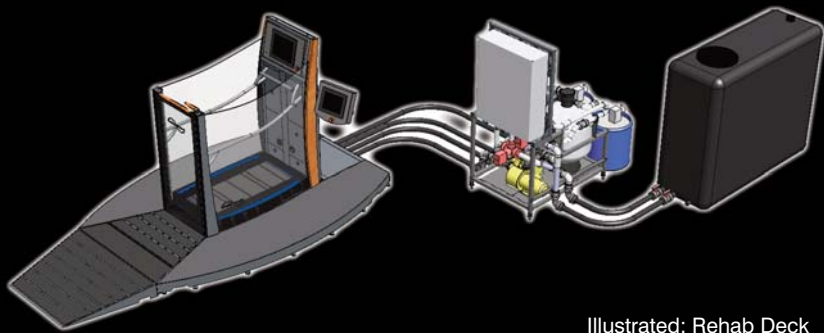
Hydrotherapy Treadmills...

Lifestyle...



Illustrated: Medical Deck
Side platform

Typical Complete System Layout



Illustrated: Rehab Deck

Specification...

- Class 1 medical device, meets requirements of ISO13485
- Maximum load: 250kg (550lbs) assuming 50% weight bearing in water
- Water depth: 0 - 1200mm (48")
- Speed range: 0.1 - 11kph at 0.1kph increments (0.06 - 7mph)
- Fill / empty times: Approximately 3 minutes to maximum water depth
- Temperature range: From ambient to 40°C (104°F)
- Maximum distance between treadmill and plant equipment: 10m (394")
- Complete System: Trainer Height - 1980mm (78")
 - Total Dry Weight - 1050kg (2315 lbs)
 - Total Full Weight - 2850kg (6283 lbs)
 - Capacity - 1800 litres (396 gals, 476 US gals)

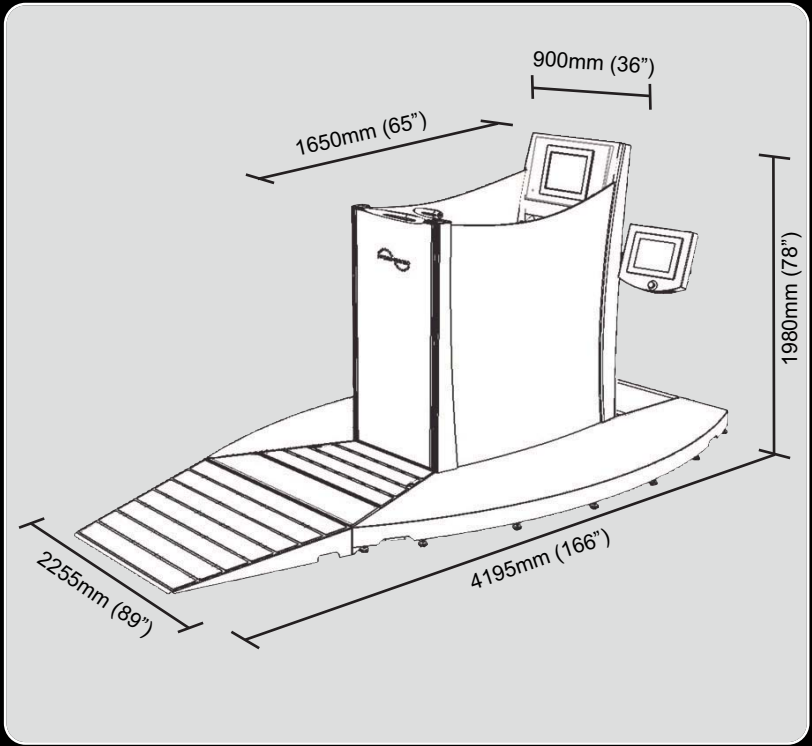
Lifestyle Features...

- Curved glass sides
- Bariatric patient capability
- System diagnostics
- Automatic chemical dosing
- Outward opening door
- Blue LED underwater lighting
- Dual speed resistance jets
- Pre-set function controls
- Large touch screen user interface
- Ergonomical design

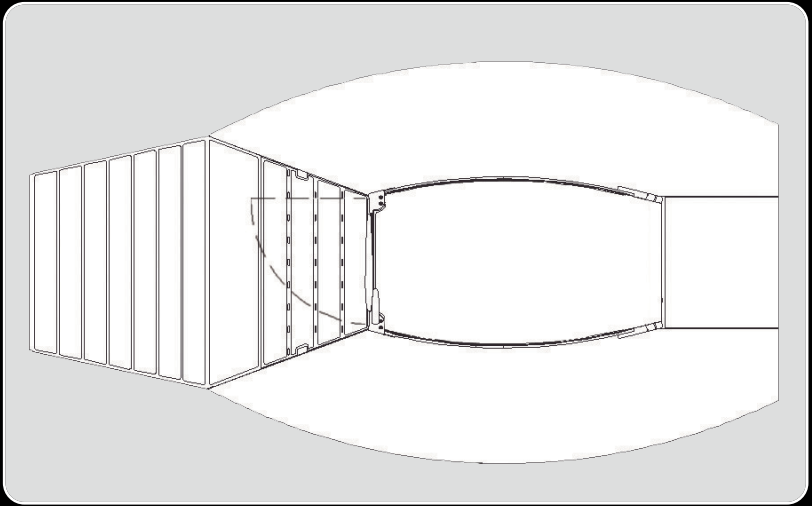
Optional Extras Include...

- External touch screen
- Lower hand rails
- Operator side platform

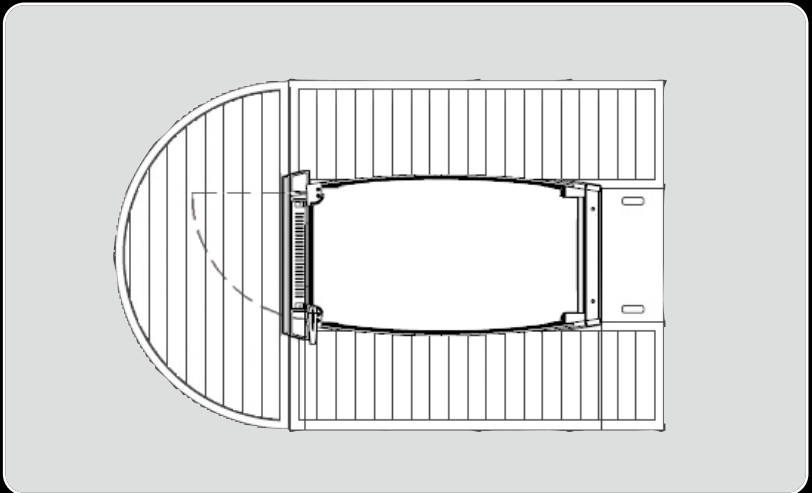
Lifestyle...



Rehab Deck



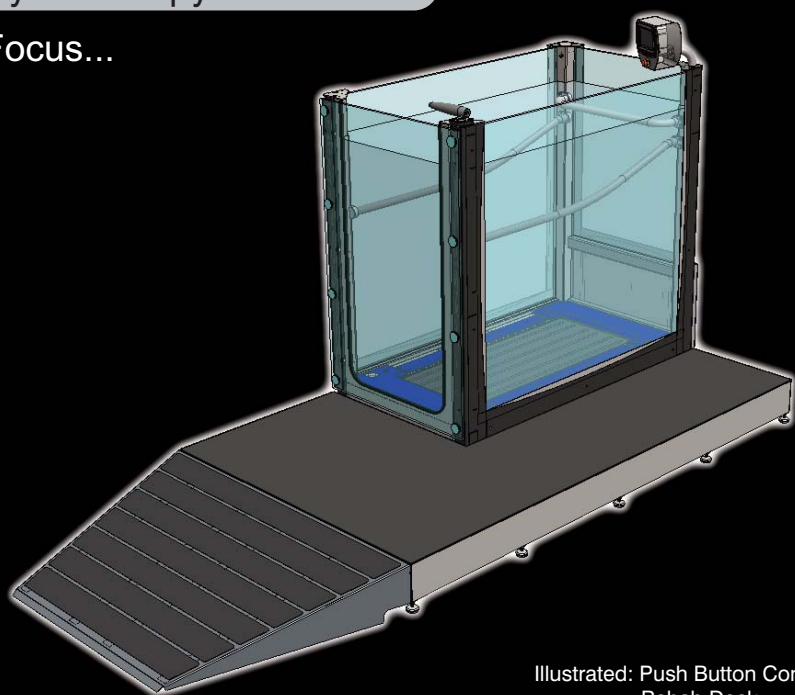
Medical Deck



- Standard or bespoke deck designs available for individual requirements

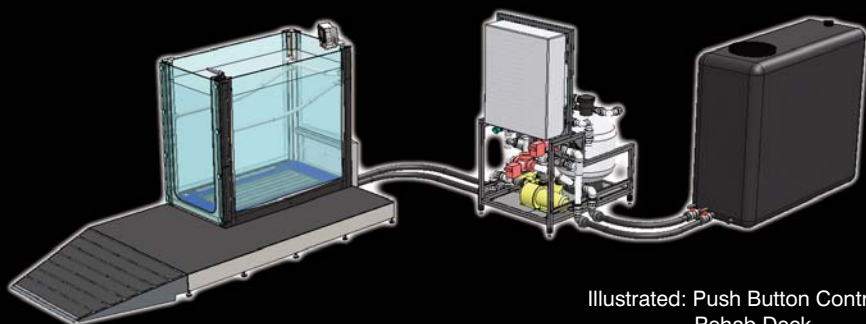
Hydrotherapy Treadmills...

Focus...



Illustrated: Push Button Control
Rehab Deck

Typical Complete System Layout



Illustrated: Push Button Control
Rehab Deck

Specification...

- Class 1 medical device, meets requirements of ISO13485
- Maximum load: 250kg (550lbs) assuming 50% weight bearing in water
- Water depth: 0 - 1200mm (48")
- Speed range: 0.1 - 11kph at 0.1kph increments (0.06 - 7mph)
- Fill / empty times: Approximately 3 minutes to maximum water depth
- Temperature range: From ambient to 40°C (104°F)
- Maximum distance between treadmill and plant equipment: 10m (394")
- Complete System: Trainer Height (Excluding display) - 1663mm (66")
Total Dry Weight - 1050kg (2315 lbs)
Total Full Weight - 2850kg (6283 lbs)
Capacity - 1800 litres (396 gals, 476 US gals)

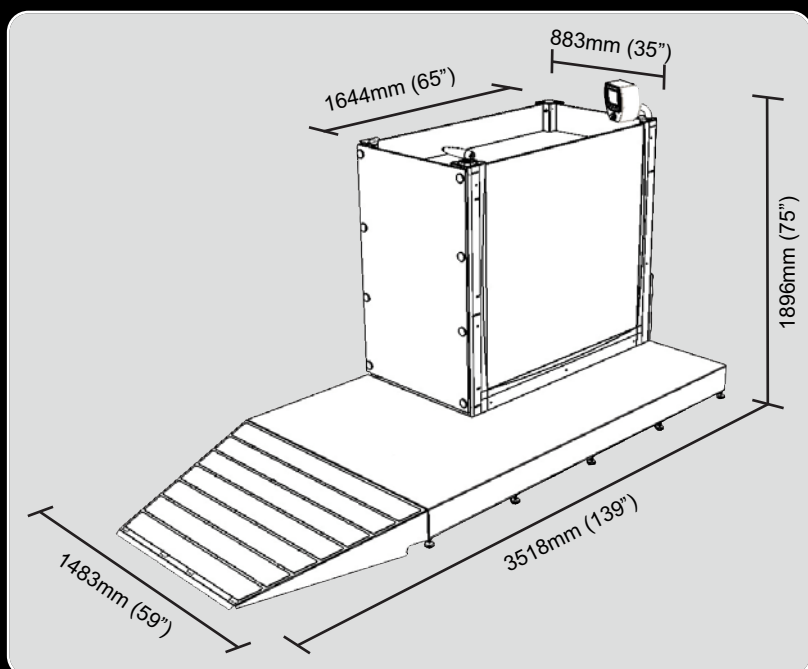
Focus Features...

- Push button or optional touch screen user interface
- Pre-set and programmable function controls (touch screen only)
- Incline with 4 angled settings up to 9% gradient
- System diagnostics (touch screen only)
- Chemical feeder
- Pre-set treadmill speeds

Optional Extras for Focus Include...

- Dual speed resistance jets (touch screen only)
- Automatic chemical dosing
- Lower hand rails

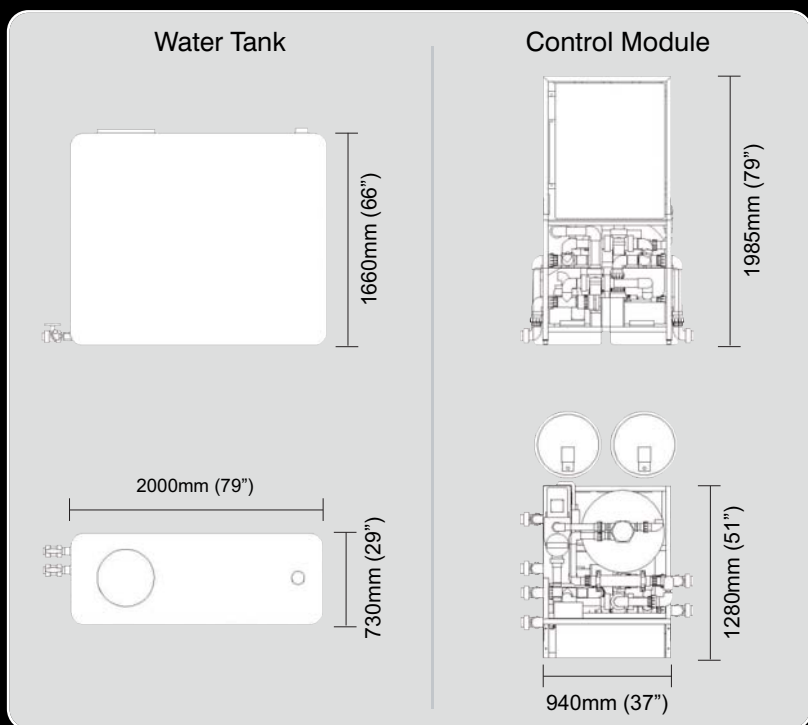
Focus...



- Standard or bespoke deck designs available for individual requirements

Lifestyle and Focus - Plant Equipment

- Water tank material: Polyethylene



Decking...

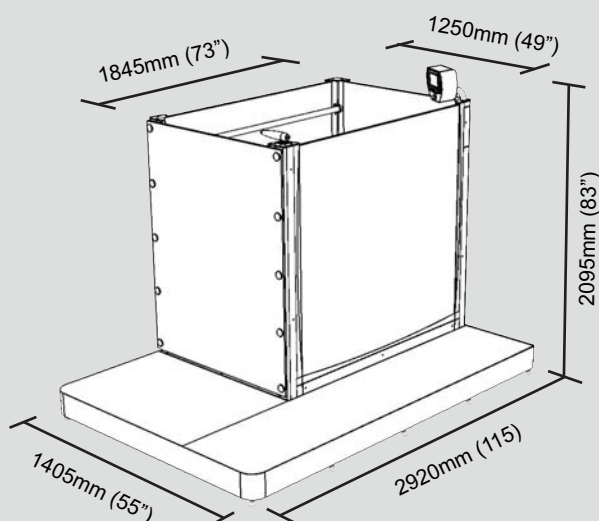
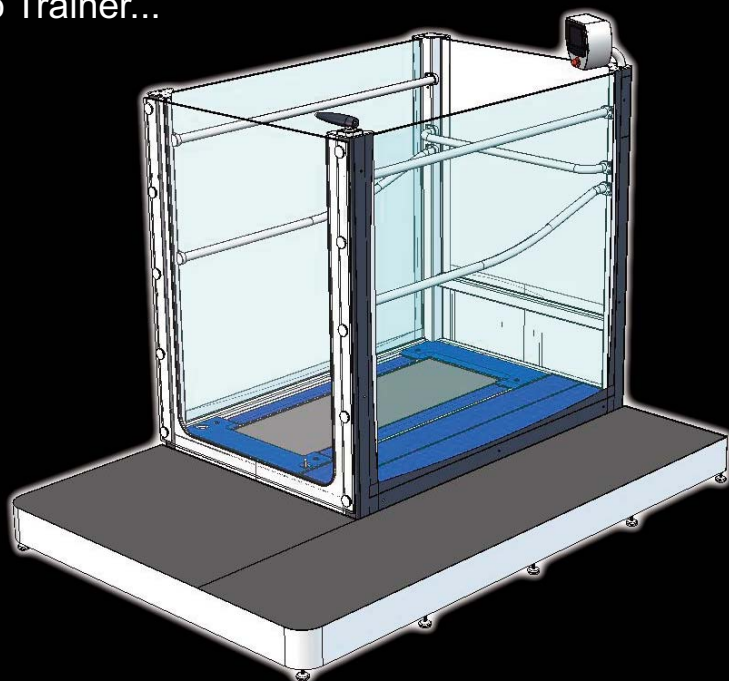
- The standard finish for decking on Lifestyle, Focus and Pro Trainer models is black non-slip matting.
- Teak look decking is available on request.

Services Required...

- Cold water supply and drainage
- Power: 220 / 240V single phase 50/60hz 42A
or 400V 3 phase neutral and earth (4 wire system) 50/60hz 30A per phase

Hydrotherapy Treadmills...

Pro Trainer...



Specification...

General specification and optional extras of the Focus model with the following differences:

- Water depth: 0 - 1400mm (55")
- Fill / empty times: Approximately 4 minutes to maximum water depth
- Complete System: Trainer Height - 1862mm (73") (Excluding display)
Total Dry Weight - 1150kg (2535 lbs)
Total Full Weight - 4050kg (8929 lbs)
Capacity - 3000 litres (660 gals, 793 US gals)

Power Requirements...

- 400V 3 phase neutral and earth (4 wire system) 50/60hz 65A per phase

Plant Equipment...

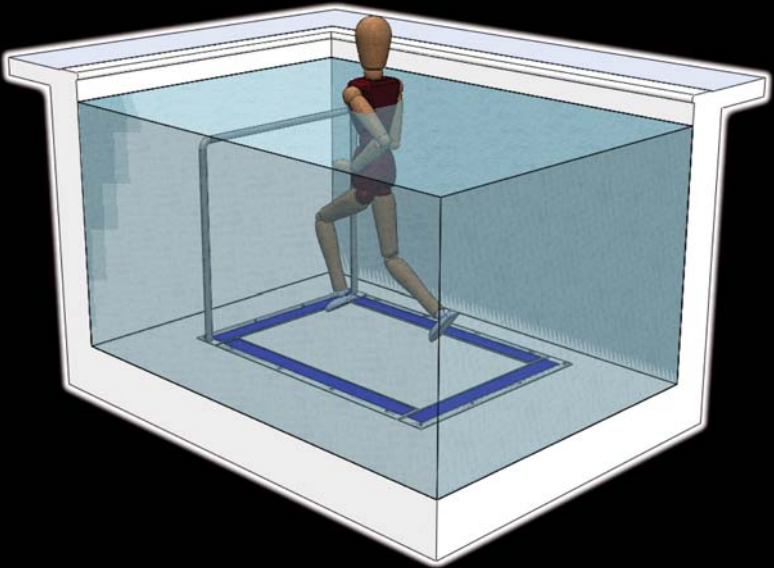
- Pro Trainer requires similar plant equipment as the Lifestyle and Focus trainers with an additional standard water tank

Hydrotherapy Treadmills...

Fusion...

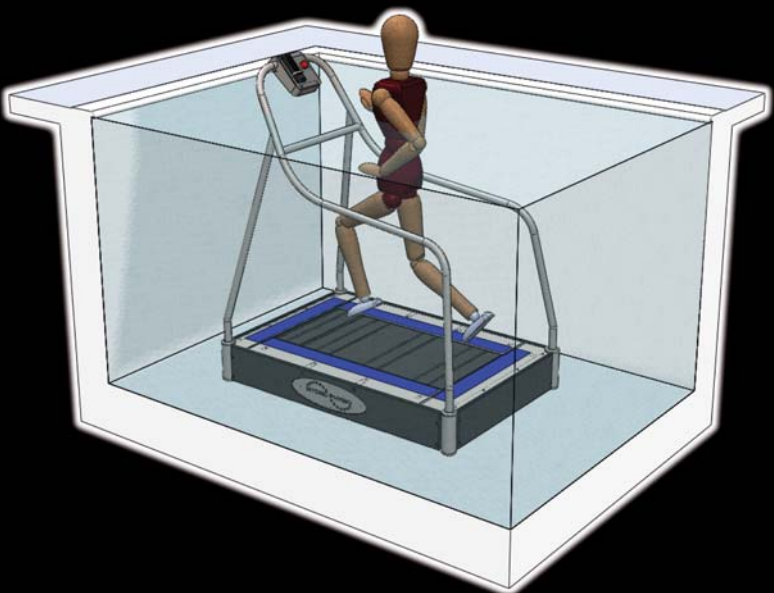
Integrated...

- Pit Dimensions: W 1200 x L 1750 x D 220mm
W 47.5 x L 69 x D 8.5"
- Training Area: W 850 x L 1400mm
W 33.5 x L 55"
- Hand rails available



Free Standing...

- Overall Dimensions: W 1040 x L 1540 x H 1740mm
W 41 x L 60.5x H 68.5"
- Training Area: W 550 x L 1150 x H 210mm
W 21.5 x L 45 x H 8.5"
- Includes hand rails to sides and front



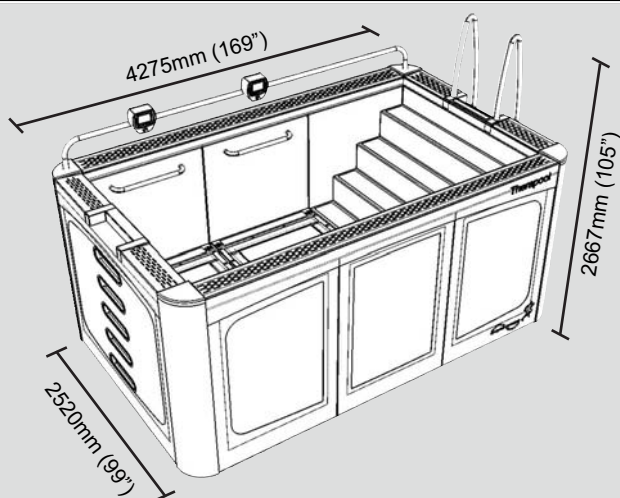
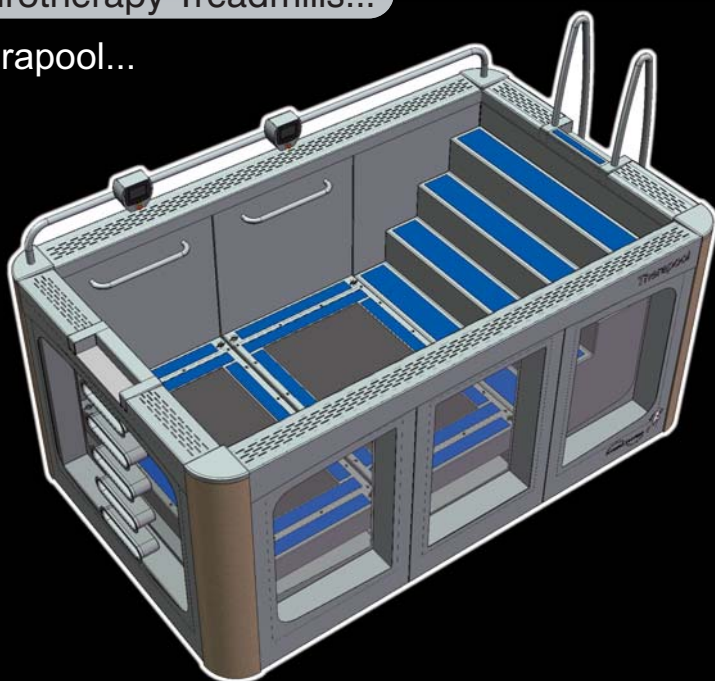
General Specification...

- 24V DC Drive: Single phase 220/240V 50/60Hz 16A
Speed range: 0.8 - 8kph (0.5 - 5mph)
- 17V AC Drive: Single phase 220/240V 50/60Hz 16A
Speed range: 0.1 - 11kph (0.06 - 7mph)
- Poolside touch screen interface with remote control
- Bespoke designs available



Hydrotherapy Treadmills...

Therapool...



Specification...

- Water depth: 1200mm (48")
- Temperature range: From ambient to 40°C (104°F)
- Unit: Height - 1840mm (73") (Excluding ladder)
 - Capacity - 2 treadmill Option: 7200 litres (1584 gals, 1902 US gals)
 - 3 treadmill Option: 8640 litres (1901 gals, 2283 US gals)

Maximum Power/Treadmill Speed Options...

- 24V DC Drive: 2 Treadmill Option - Single phase 220/240V 50/60Hz 55A
3 Treadmill Option - Single phase 220/240V 50/60Hz 70A
Speed range: 0.8 - 8kph (0.5 - 5mph)
- 17V AC Drive: 2 Treadmill Option - Single phase 220/240V 50/60Hz 65A
3 Treadmill Option - Single phase 220/240V 50/60Hz 85A
Speed range: 0.1 - 11kph (0.06 - 7mph)

Therapool Features...

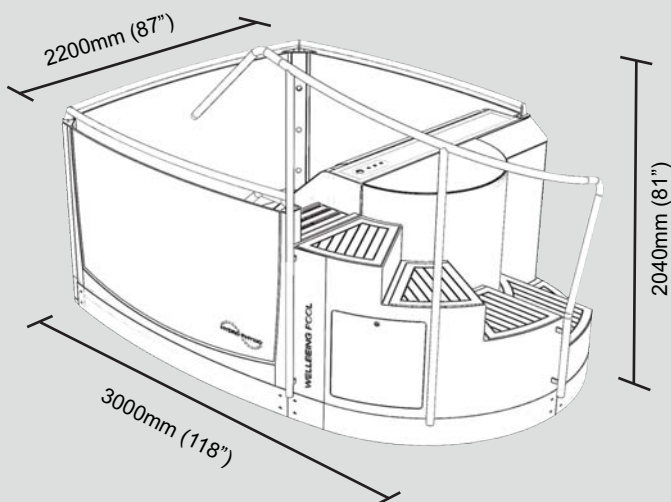
- LCD press button screen for individual treadmill control
- 2 x Integrated Fusion treadmills
- Clinical grade stainless steel

Optional Extras Include...

- 3 treadmills (1 treadmill replaces tiered step seating)
- Height adjustable floor
- Resistance jets
- Massage hose
- Corner post hoist
- Underwater LED lighting

Contra Bathing Pools...

Cool / Hot Pool - 2 Man...



Specification...

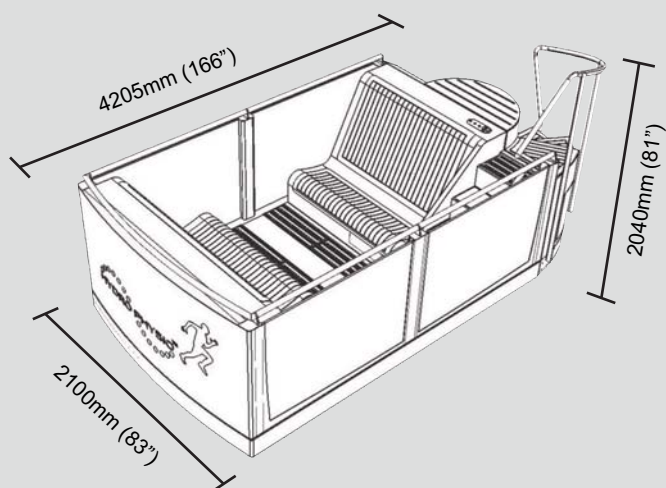
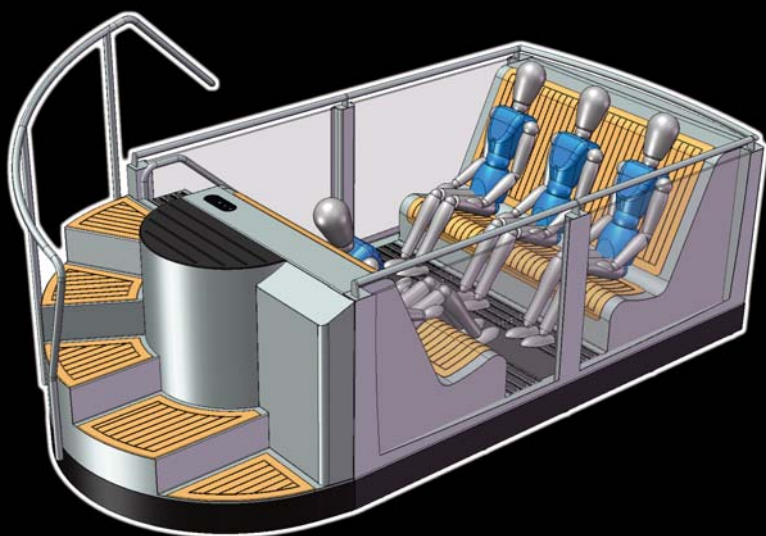
- Water depth: 800mm (32") - features water balance system
- Temperature range: Cool Pool - Ambient to 10°C (50°F)
Hot Pool - Ambient to 40°C (104°F)
- Unit: Height - 1281mm (51") (Excluding hand rail)
Dry Weight - 600kg (1323 lbs)
Full Weight - 2600kg (5732 lbs)
Capacity - 2000 litres (440 gals, 529 US gals)
- Power: 220 / 240V single phase 50/60hz 32A
or 400V 3 phase neutral and earth (4 wire system) 50/60hz 32A per phase

Cool / Hot Pool Features...

- LED lighting
- Chemical dosing
- Structural glass
- Resistance jets
- Integral commercial filtration
- Air privacy curtain
- Medical grade stainless steel

Contra Bathing Pools...

Cool / Hot Pool - 5 Man...



Specification...

- Water depth: 850mm (34")
- Temperature range: Cool Pool - Ambient to 10°C (50°F)
Hot Pool - Ambient to 40°C (104°F)
- Unit: Height - 1281mm (51") (Excluding ladder)
Capacity - 2850 litres (627 gals, 753 US gals)
- Power: 220 / 240V single phase 50/60hz 32A
or 400V 3 phase neutral and earth (4 wire system) 50/60hz 32A per phase

Cool / Hot Pool Features...

- LED lighting
- Chemical dosing
- Structural glass
- Resistance jets
- Integral commercial filtration
- Air privacy curtain
- Medical grade stainless steel

Optional Extras Include...

- Massage jets in seats
- Underwater LED lighting
- Massage hose



mobility and rehabilitation



confidence and achievement



weightloss and wellness



sport and fitness

Hydro Physio reserve the right to alter specification and prices without notice.

Images may show optional items.

Specification is believed to be correct at the time of issue.

Hydro Physio reserve the right to make changes without notice.

Issue 103



Cockshutt Lane
Broseley,
Shropshire
TF12 5JA
ENGLAND

T: +44 (0)1952 885112

F: +44 (0)1952 885183

lifestyle@hydrophysio.com

www.HYDROPHYSIO.com